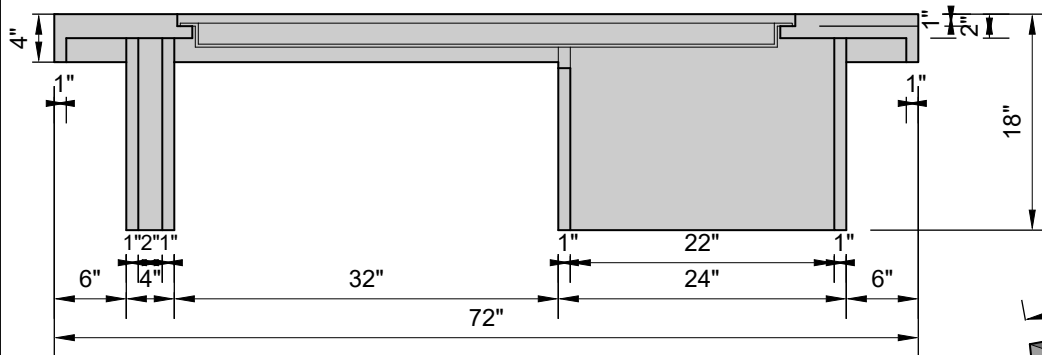
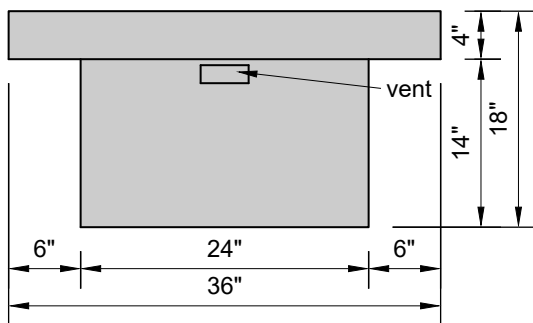


GW FIREPIT
match-lit system
75K BTUs

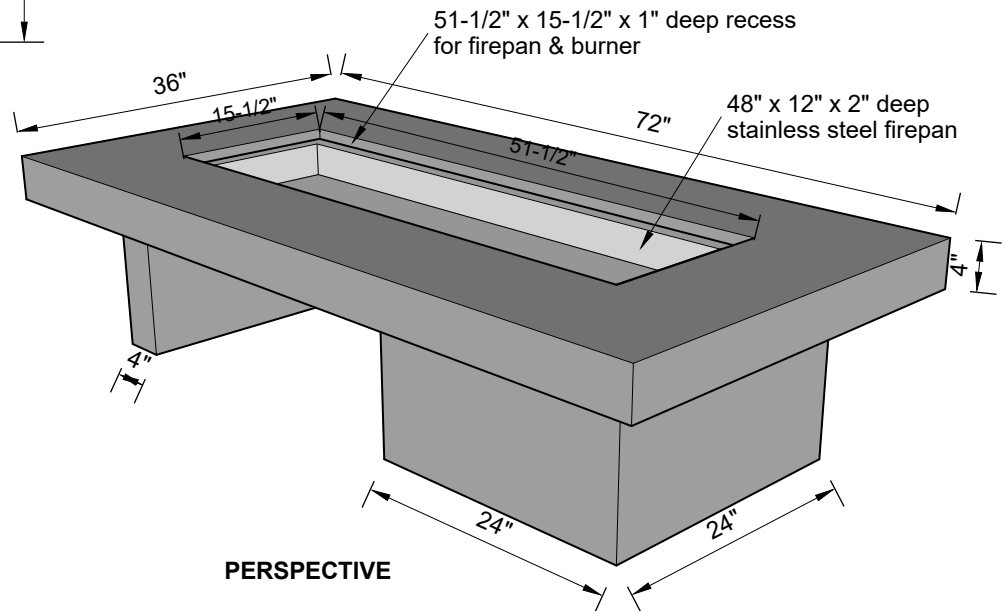
TOP VIEW



SECTION



SIDE VIEW



PERSPECTIVE