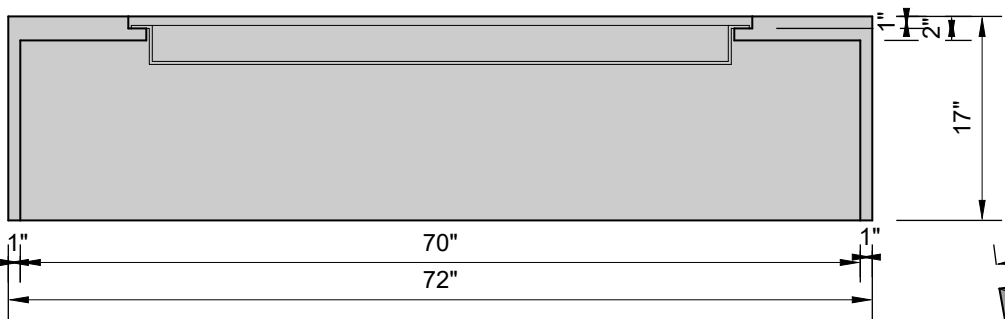
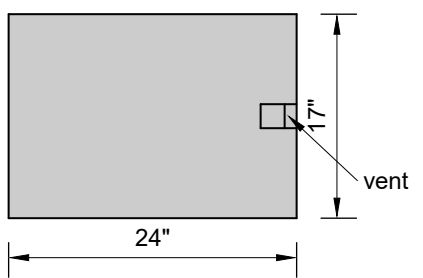


SERENITY FIREPIT
with electronic start
100K BTUs

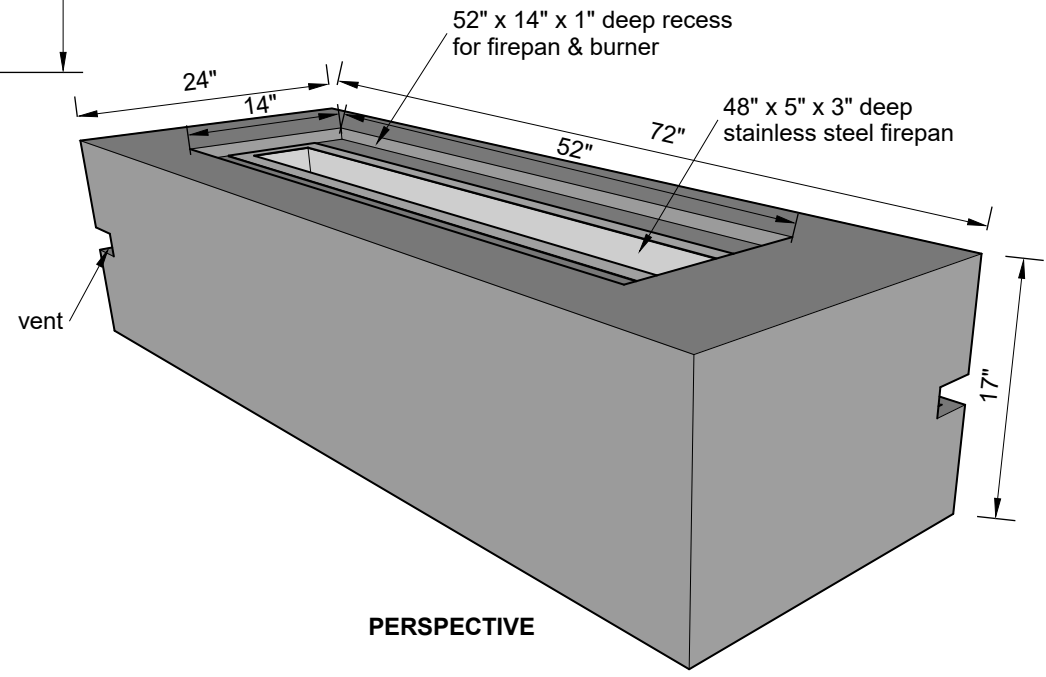
TOP VIEW



SECTION



SIDE VIEW



PERSPECTIVE