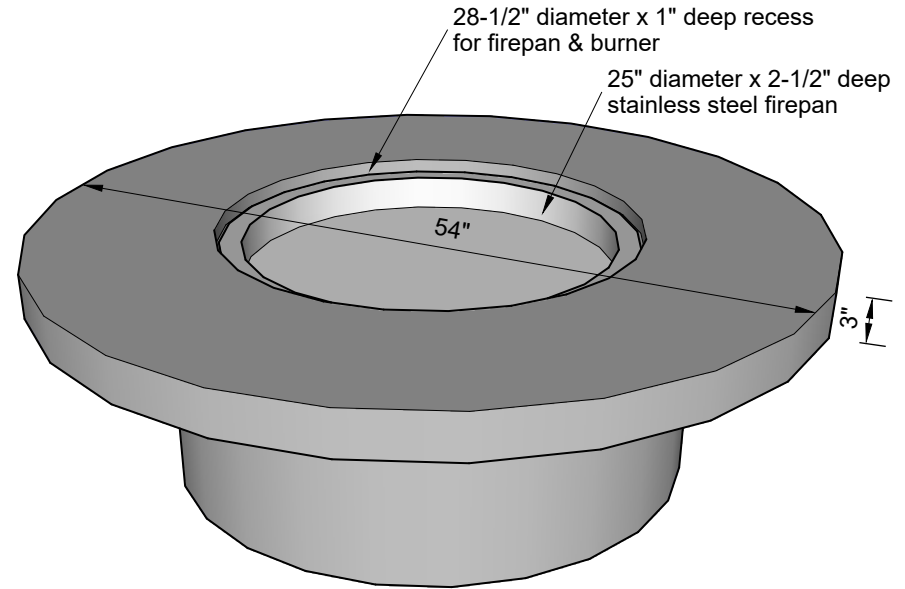
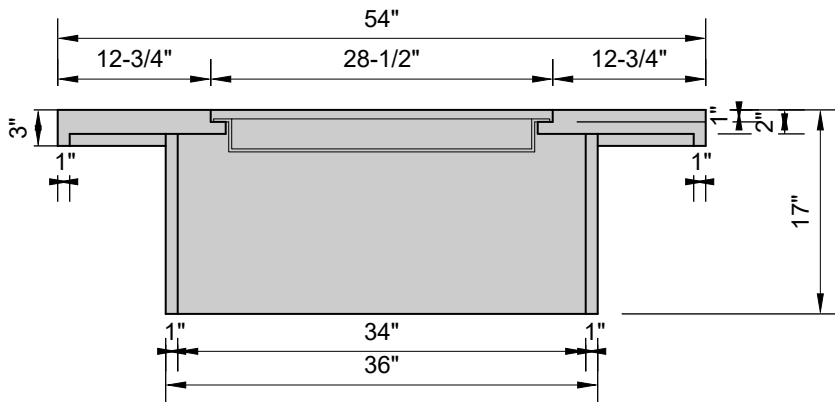


TOP VIEW

**TRANSITION FIREPIT**  
**match-lit system**  
**90K BTUs**



PERSPECTIVE



SECTION