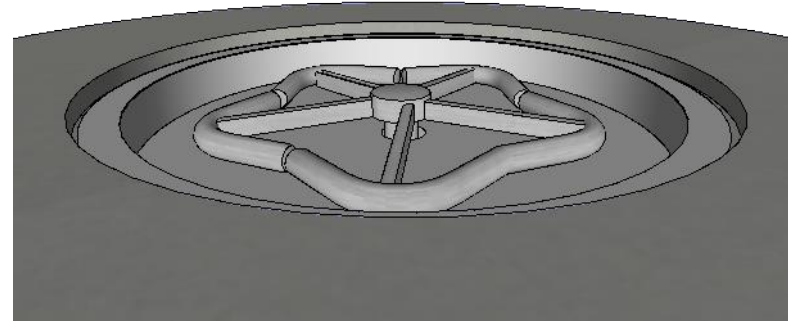


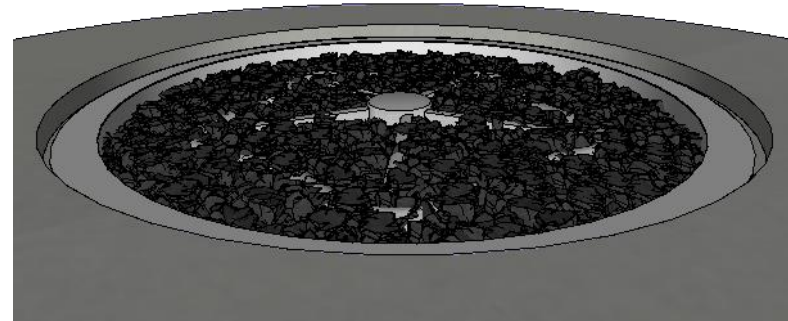
Lava Rock Placement Suggestions

Check out our video at the following link: https://www.youtube.com/watch?v=_sEF5Fcl-k

- 1 Install the firepit per the burner manual instructions.



- 2 Place small lava rock in the pan, flush with the burner. Do not cover the burner ports with the small lava rock. The rest of the burner will not be visible once you add the larger lava rock.



- 3 Apply larger lava rock on top of the small lava rock, building up towards the center, like a pyramid. You'll want to start with larger lava rock around the perimeter, outside the burner ring (similar to building a fire when camping). Then stack the larger lava rock with as much space between each rock as possible, to create a clear path for the gas/flame to meander through the larger lava rock as it rises. If you end up with too much blue flame, then you'll need to restack the larger lava rock to create more space between each rock.

