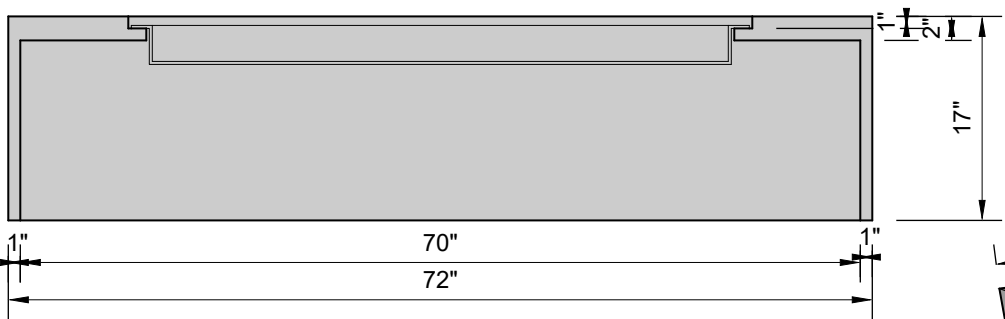
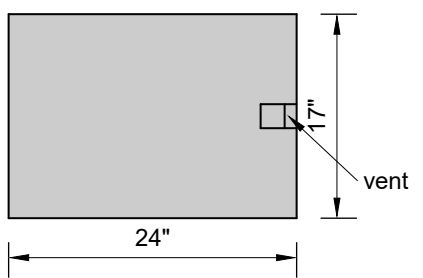


**SERENITY FIREPIT**  
with electronic start  
150K BTUs

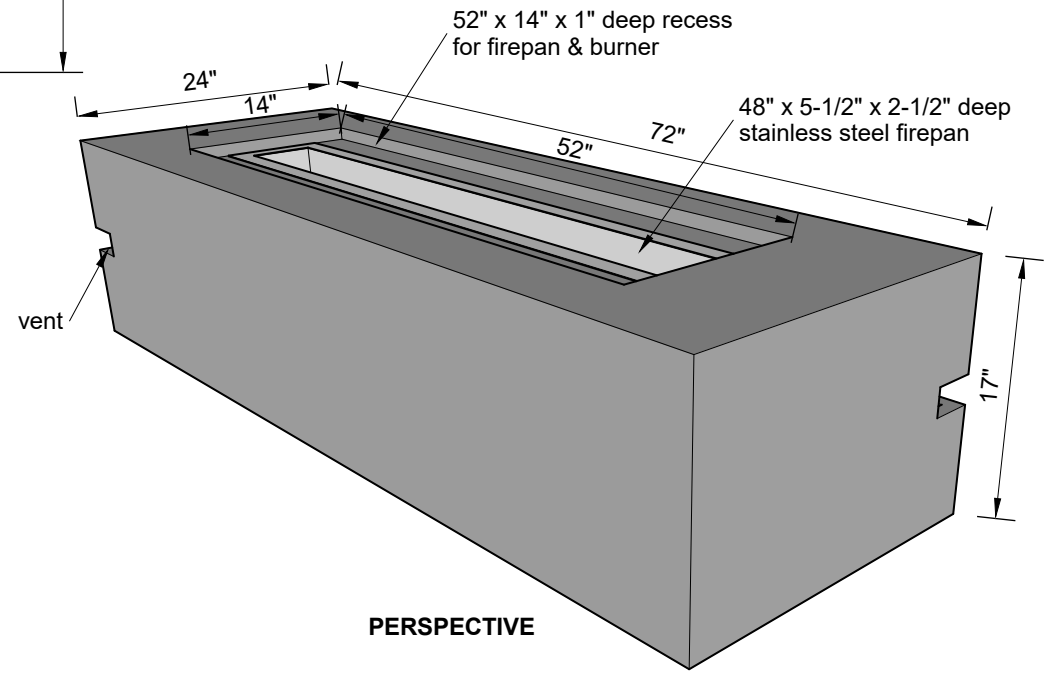
**TOP VIEW**



**SECTION**



**SIDE VIEW**



**PERSPECTIVE**