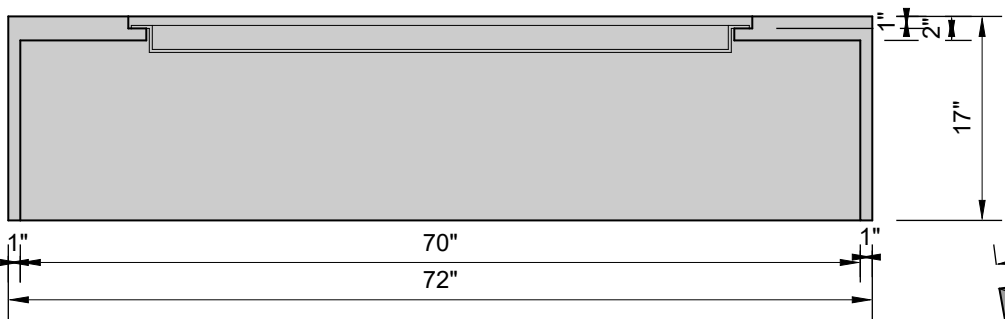
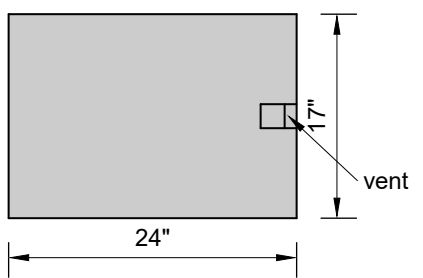


**SERENITY FIREPIT**  
**match-lit system**  
**125K BTUs**

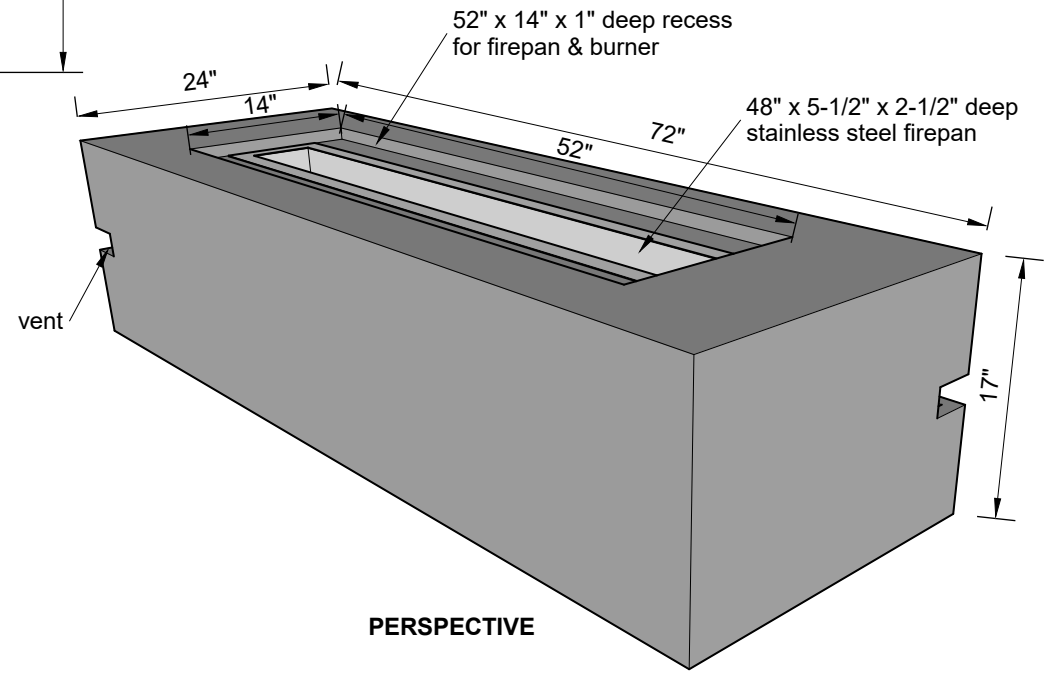
**TOP VIEW**



**SECTION**



**SIDE VIEW**



**PERSPECTIVE**