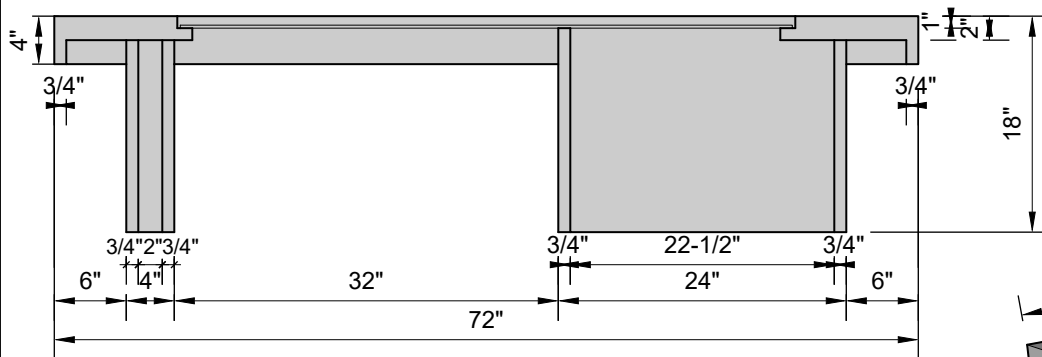
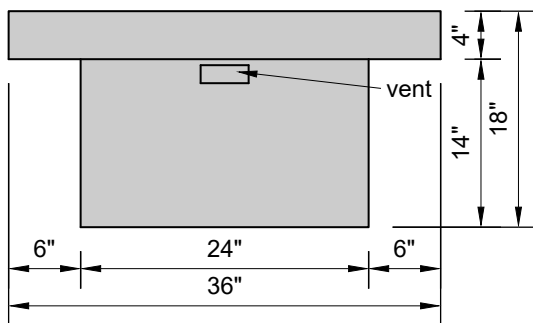


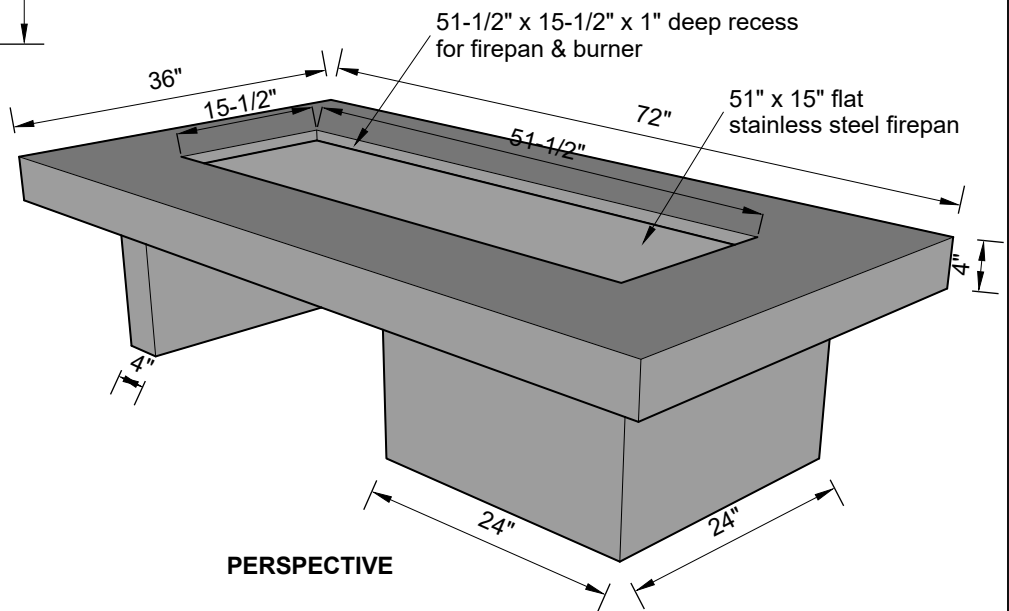
TOP VIEW



SECTION



SIDE VIEW



PERSPECTIVE

GW FIREPIT
match-lit system
75K BTUs