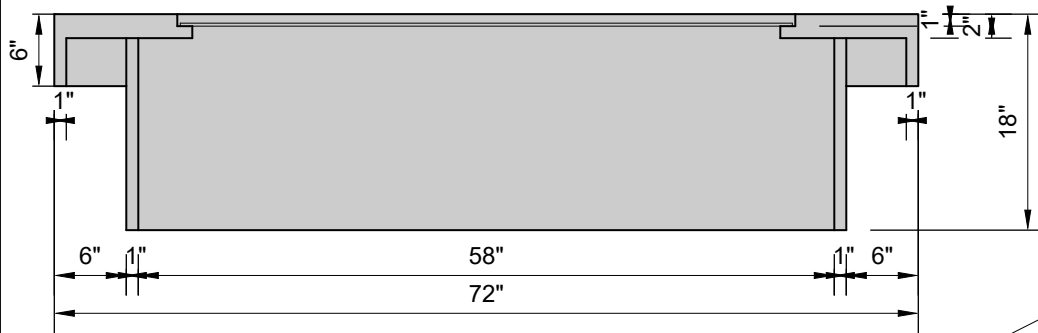


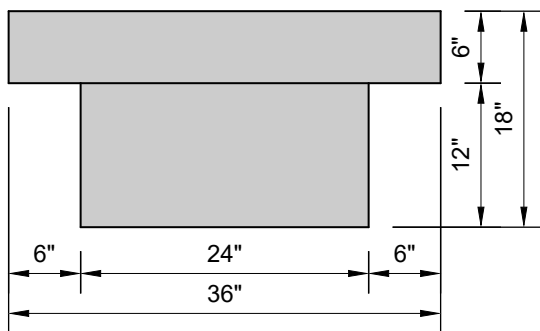
TOP VIEW

51" x 15" flat stainless steel firepan

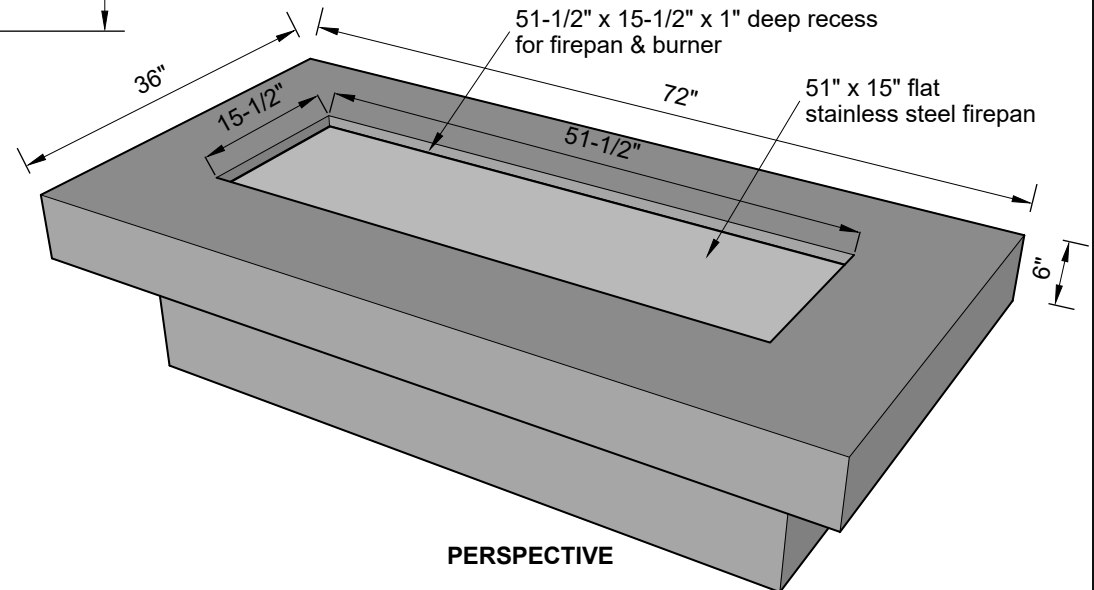
HARMONY FIREPIT
match-lit system
125K BTUs



SECTION



SIDE VIEW



PERSPECTIVE