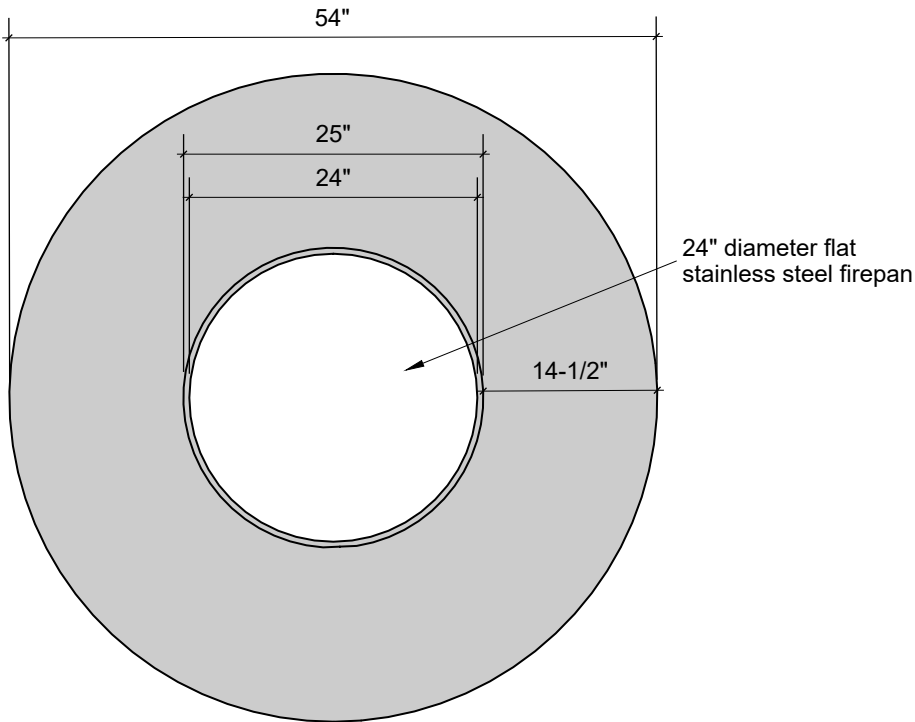
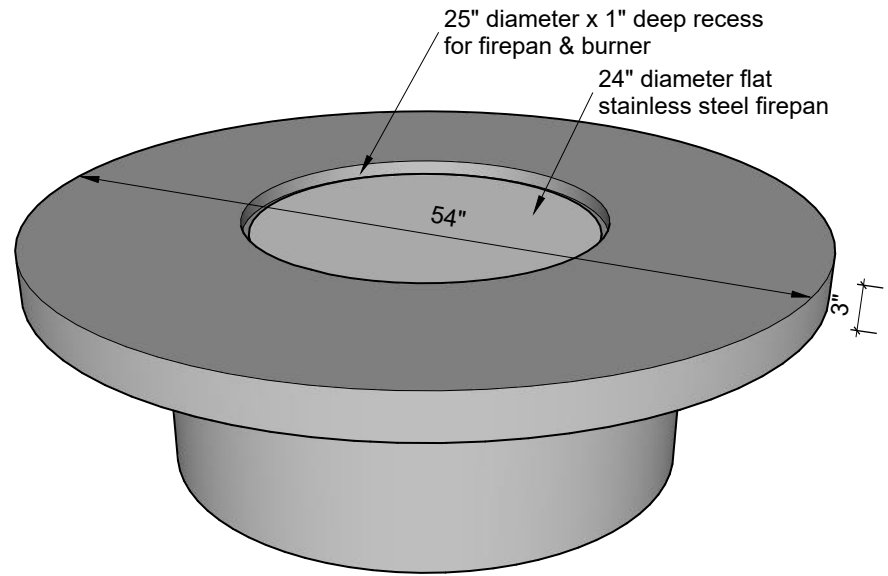


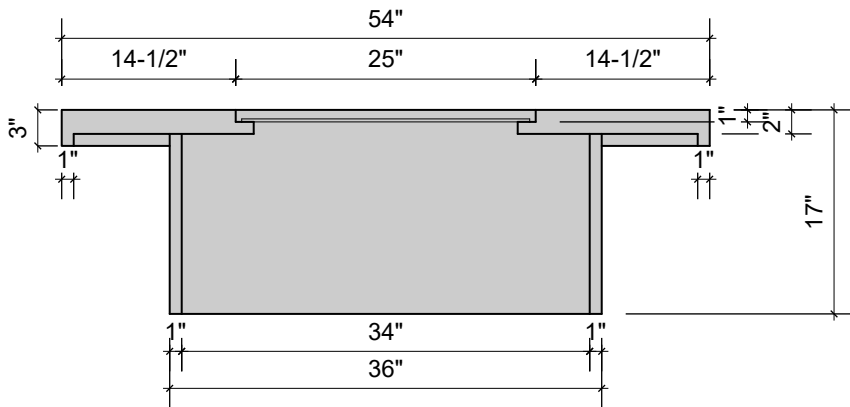
**TRANSITION FIREPIT
with electronic start
140K BTUs**



TOP VIEW



PERSPECTIVE



SECTION